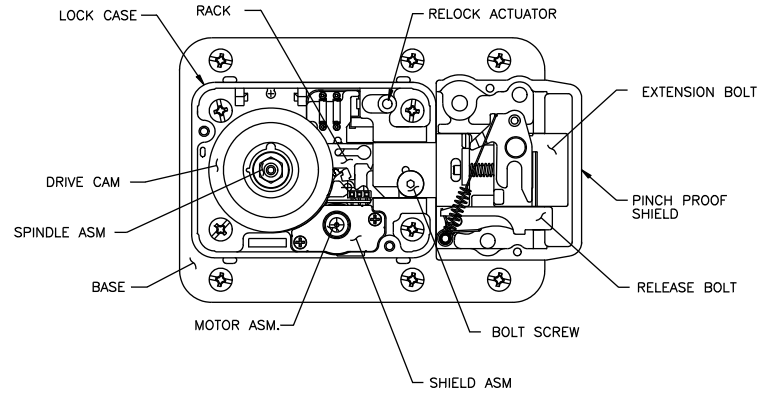


ATTENTION: The Dial Ring Mounting Plate Assembly is required by Federal Specification FF-L-2890 when the lock is used as the primary security device on doors to facilities protecting classified information.

MODEL CDX-09 LOCK SYSTEM

KABA MAS CORPORATION
 749 W. Short St.
 Lexington, KY 40508 USA
 (859) 253-4744



NOMENCLATURE